

**Engineering Services
of Vermont, LLC**
9 Washington Street
Rutland, Vermont 05701
www.ENGINEERINGVERMONT.com
Phone: 802-855-8071

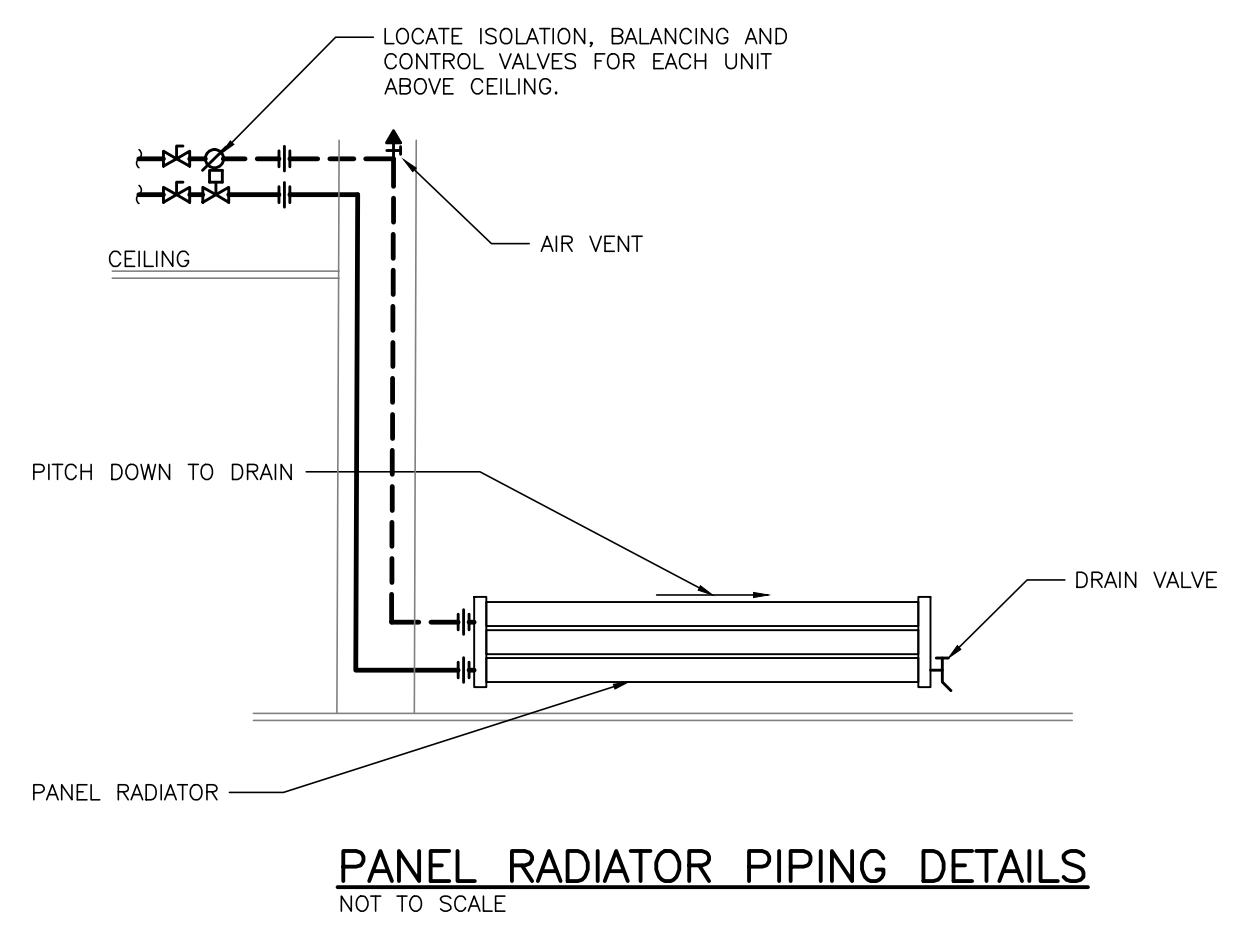
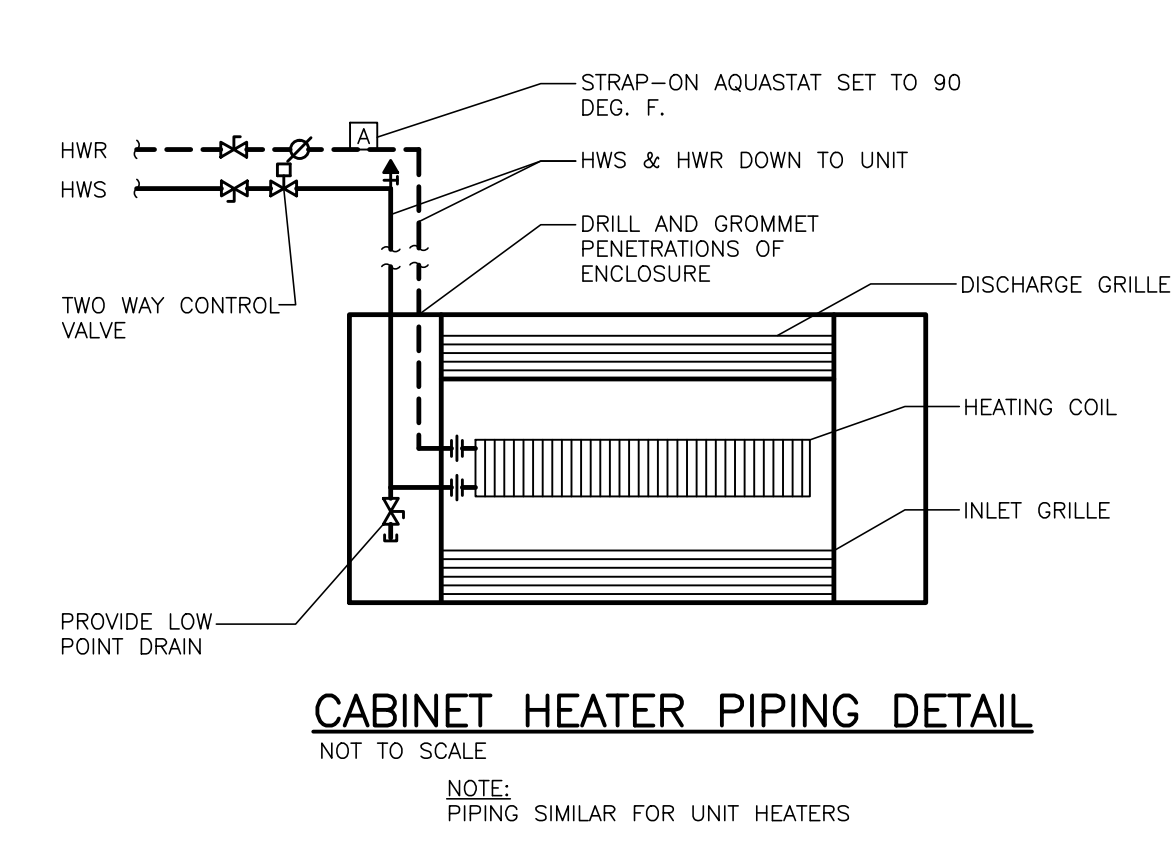
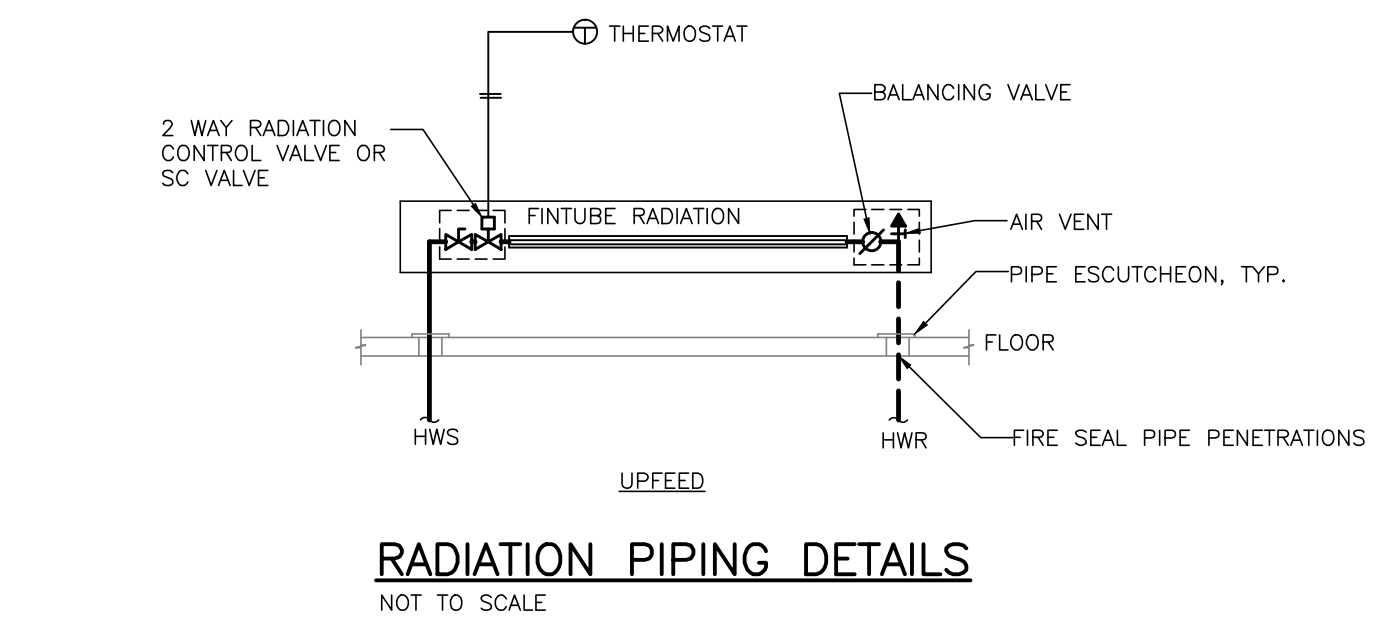
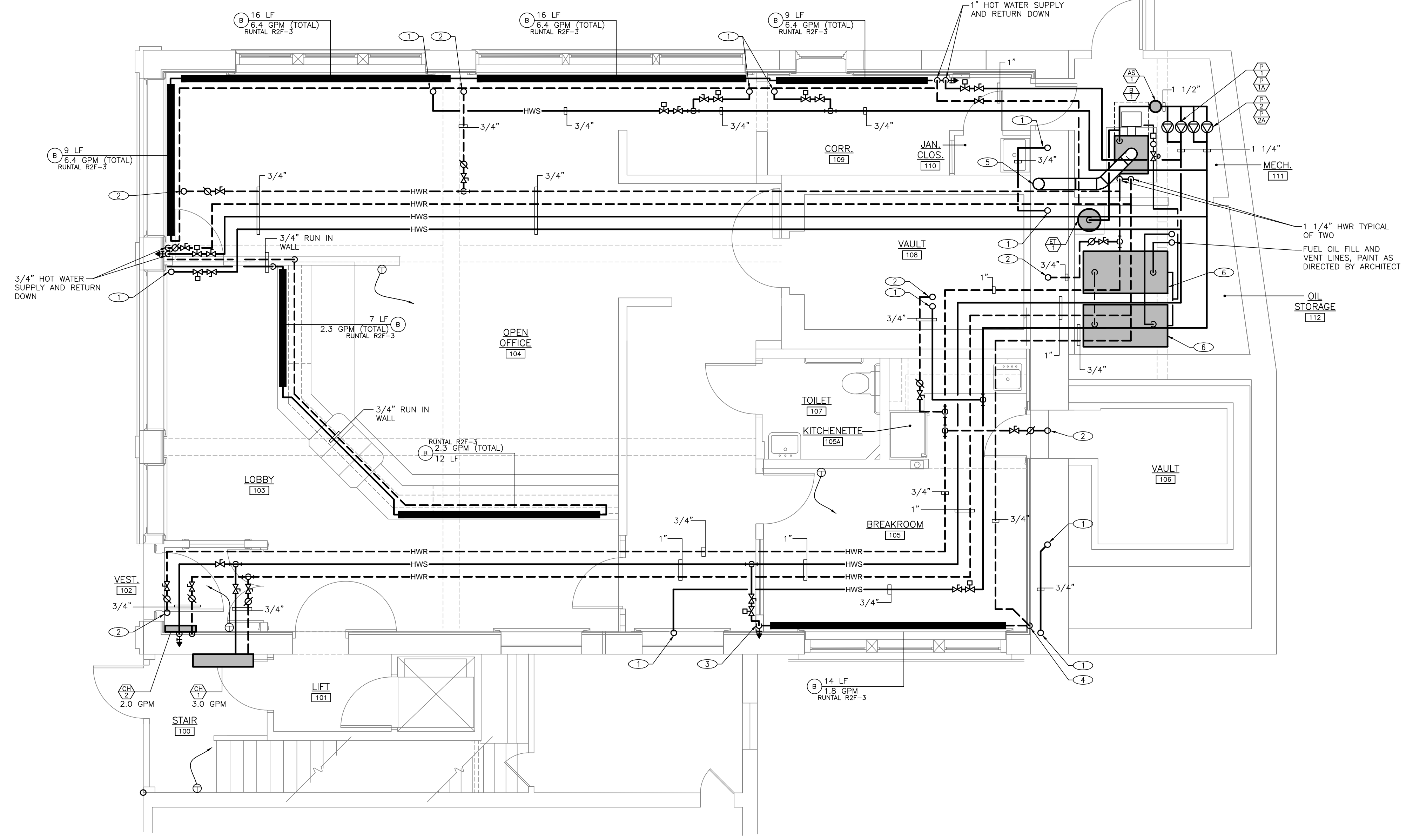
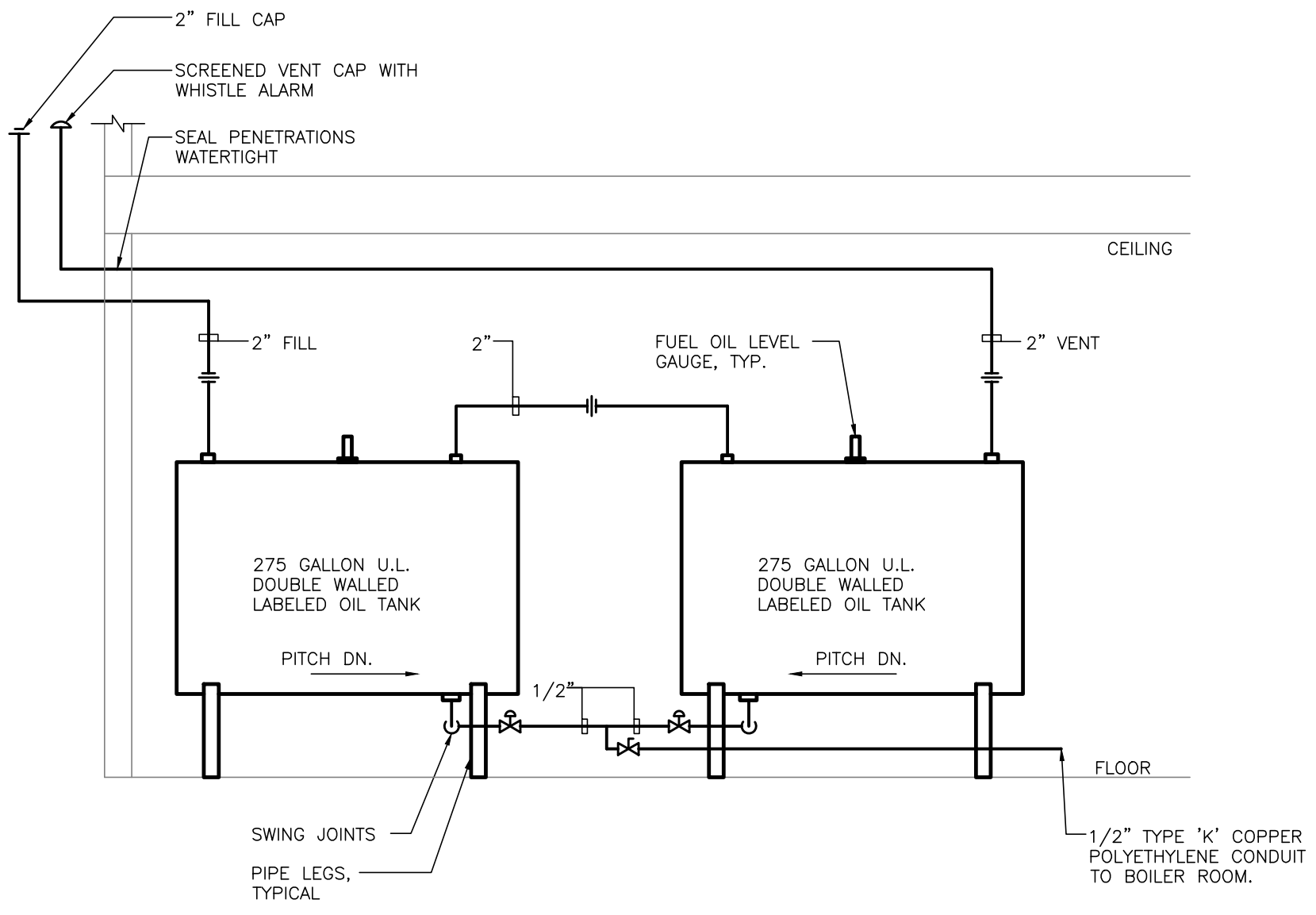
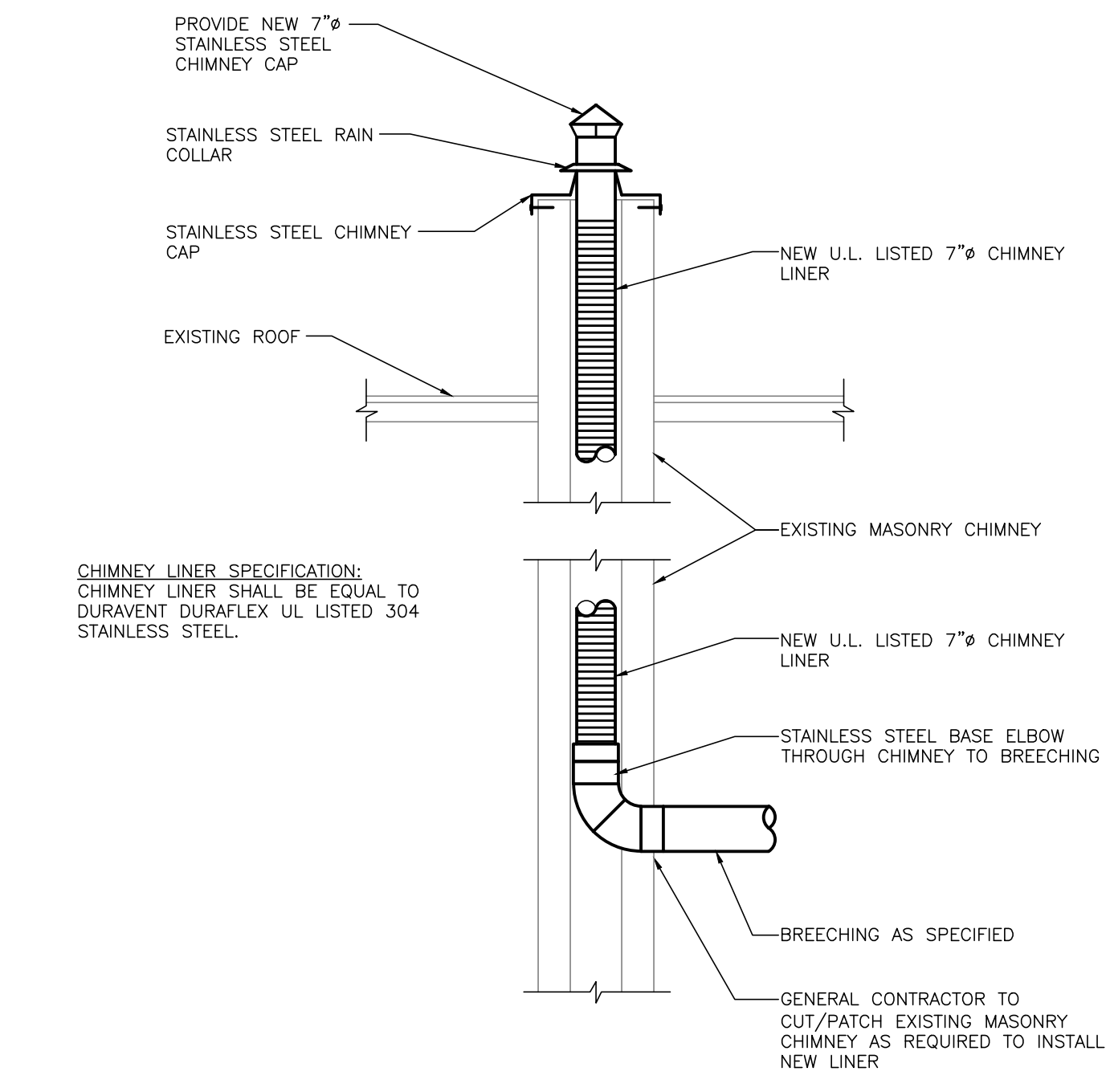


NO.	ISSUED FOR	DATE

TOWN OF BRANDON
2417 FRANKLIN STREET, BRANDON, VERMONT
TOWN OFFICES REHABILITATION
49 CENTER STREET, BRANDON, VERMONT
MECHANICAL HEATING
FIRST FLOOR PLAN

PROJ. NO.: 15023
DRAWN: DWD
DATE: 8/3/2015

M1



- DRAWING NOTES:** (APPLY TO THIS DRAWING ONLY)
- ① 3/4" HOT WATER SUPPLY UP.
 - ② 3/4" HOT WATER RETURN UP.
 - ③ 3/4" HOT WATER SUPPLY DN.
 - ④ 3/4" HOT WATER RETURN DN.
 - ⑤ NEW 7" DIAMETER CHIMNEY CONNECTOR AND STAINLESS STEEL LINER, SEE DETAIL.
 - ⑥ PROVIDE TWO 275 GALLON DOUBLE WALLED FUEL OIL TANKS, SEE DETAIL.