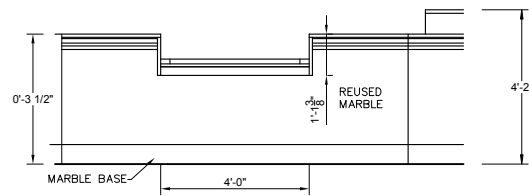
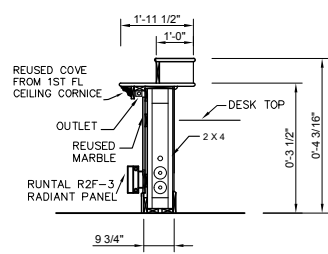


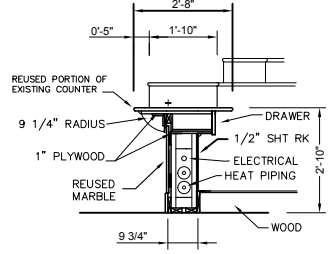
ELEVATION - 2



ELEVATION - 1

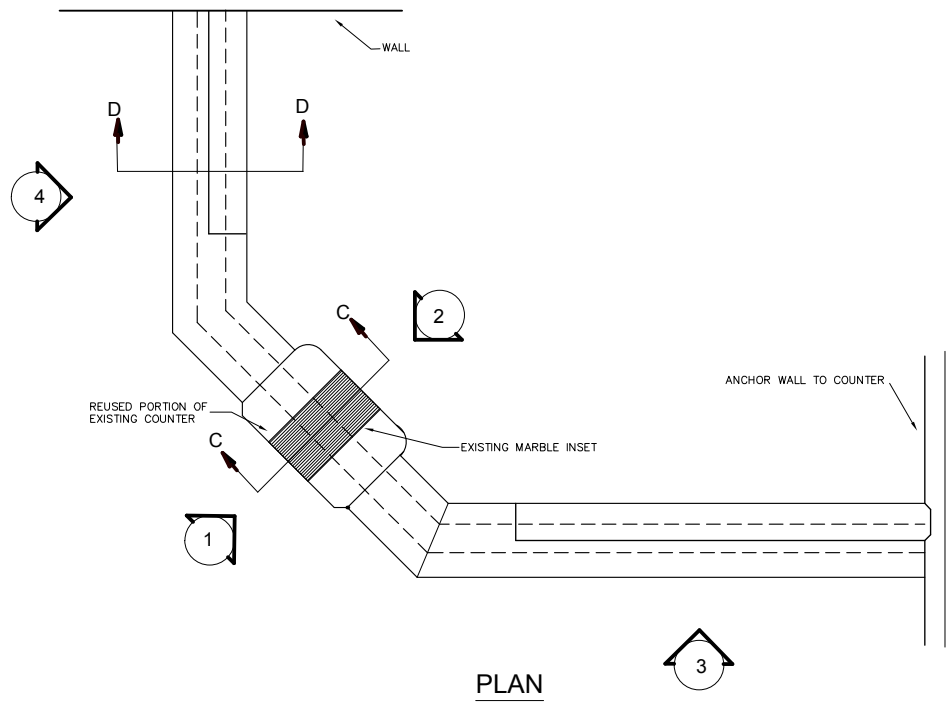


SECTION D-D

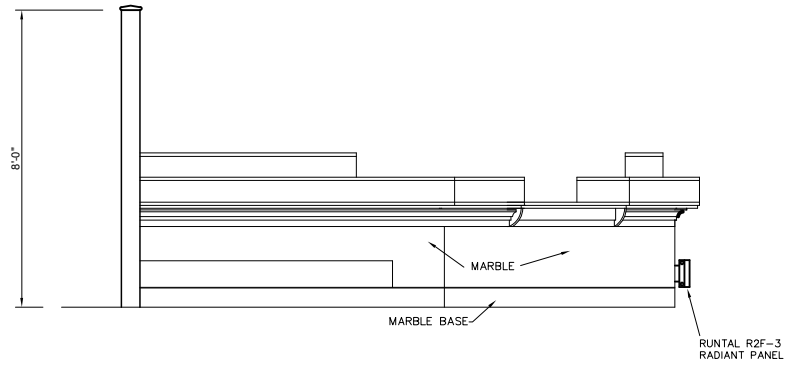


SECTION C-C

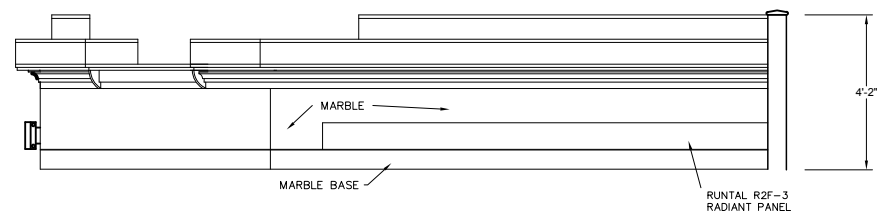
COUNTER DETAIL



PLAN



ELEVATION - 4



ELEVATION - 3